



"Restorations" Series Double Hung Window "NON-IMPACT"

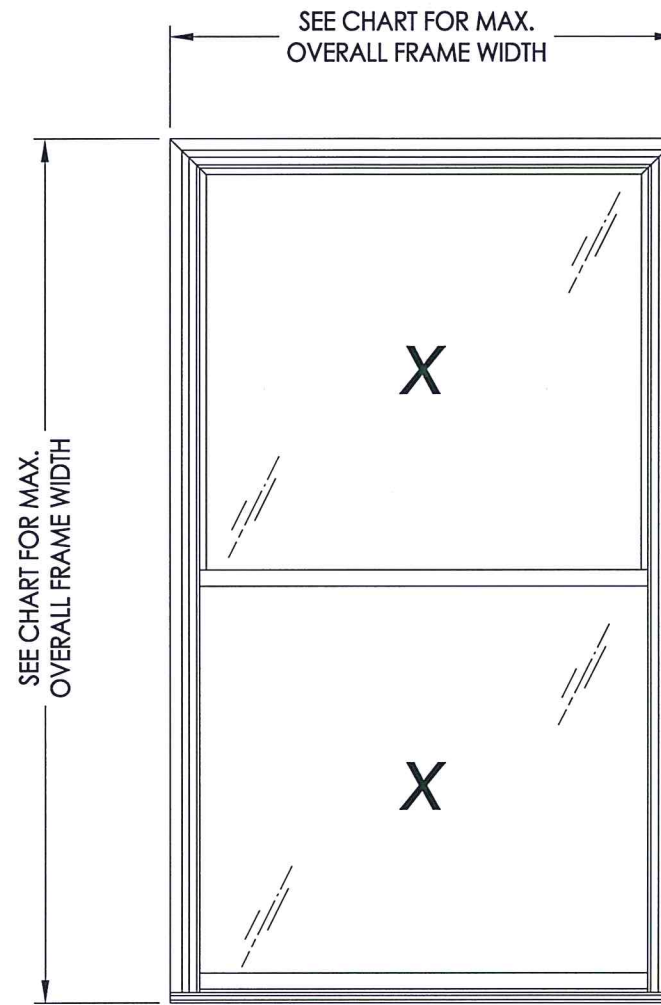
EVALUATED FOR USE IN THE STATE OF TEXAS

The Double Hung Window described herein complies with the 2018 International Residential Code (IRC), Sections R301 & R609 and the 2018 International Building Code (IBC), Sections 1404.13, 1609, 1709.5, 2403 and 2404 subject to the following conditions:

1. Anchors shall be as listed and spaced as shown in the details. Anchor embedment to base material shall be beyond roof covering.
2. When used in areas requiring wind-borne debris protection this product is required to be protected with an impact resistant covering that complies with Section R301.2.1.2 of the IRC and Section 1609.2 of the IBC.
3. Allowable design pressure requirements must be equal to or less than the design pressure rating shown in the design pressure chart, sheet 1 of this drawing.
4. Conditions not covered by this drawing are subject to further engineering analysis.

TABLE OF CONTENTS

SHEET #	DESCRIPTION
1	Typical Elevations, Design Pressures & General Notes
2	Frame Anchoring & Cross Section
3	Bill of Materials, Components & Glazing Details



Documents Prepared By: Lyndon F. Schmidt, P.E.
TEXAS P.E. #104123

RW BUILDING CONSULTANTS, INC.
P.O. Box 230 Valrico FL 33595
Phone No.: 813.659.9197

TEXAS BOARD OF PROFESSIONAL ENGINEERS
CERTIFICATE OF REGISTRATION # F-11852

PRODUCT: DOUBLE HUNG WINDOW

PART OR ASSEMBLY: TYPICAL ELEVATION, DESIGN PRESSURES & GENERAL NOTES

NO.	DATE	BY	REVISIONS

DATE: 5/05/20
SCALE: N.T.S.
DWG. BY: TRJ
CHK. BY: LFS
DRAWING NO.: TX-5050
SHEET 1 OF 3

MAX. OVERALL FRAME DIMENSION	MAX DAY LITE DIMENSION	GLASS TYPE	DESIGN PRESSURE (PSF) w/out SILL RISER		DESIGN PRESSURE (PSF) w/ SILL RISER	
			POS.	NEG.	POS.	NEG.
52.75" X 82.75"	46.9" X 38.6"	G1	+25.0	-35.0	+30.0	-35.0
48.0" X 78.0"	42.2" X 36.2"	G2	+25.0	-40.0	+30.0	-40.0
40.0" X 63.0"	34.2" X 28.7"	G2	+25.0	-50.0	+45.0	-50.0

SEE SHEET 2 FOR REINFORCEMENT REQUIREMENTS

BILL OF MATERIALS

ITEM #	DESCRIPTION	MATERIAL
A	2X FRAMING (SG >= 0.42)	WOOD
C	1/4" MAX. SHIM SPACE	-
F	#8 X 2" MODIFIED TRUSS HEAD (7/16"Ø HEAD) SMS (1-1/2" MIN. EMBEDMENT)	STEEL
1	HEAD (2750)*	RIGID PVC
2	GLAZING BEADS *	RIGID PVC
3	JAMB (2749)*	RIGID PVC
4	SILL (2751)*	RIGID PVC
5	STILE/RAIL (2757)*	RIGID PVC
6	KEEPER RAIL (2759)*	RIGID PVC
7	LOCK RAIL (3198)*	RIGID PVC
10	WEATHERSTRIP	-
11	SASH LOCK (ASHLAND #2004655)	-
12	KEEPER (ASHLAND #2004662)	-
14	REINFORCEMENT (3301)	FIBERGLASS
19	SILL RISER*	RIGID PVC
24	BULB GASKET	FOAM

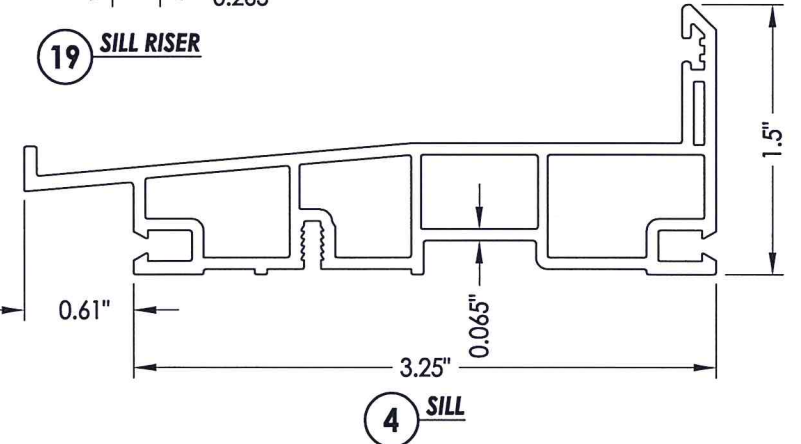
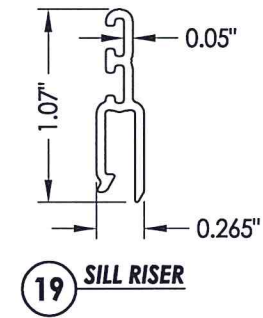
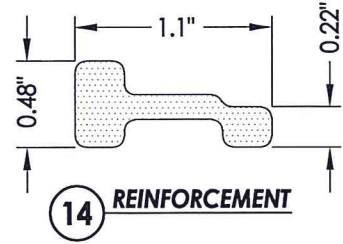
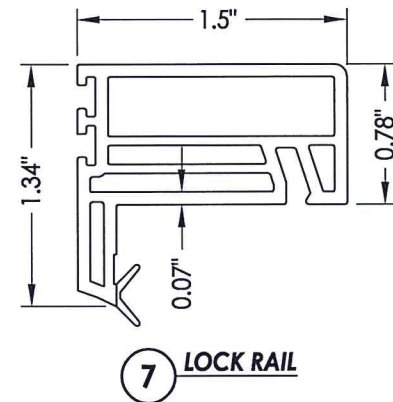
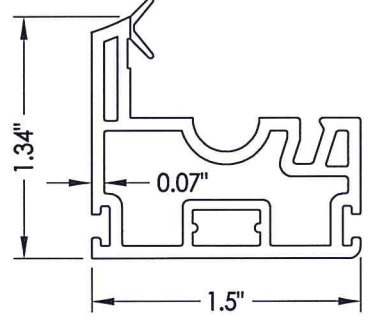
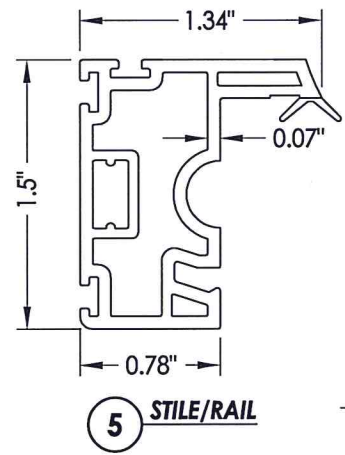
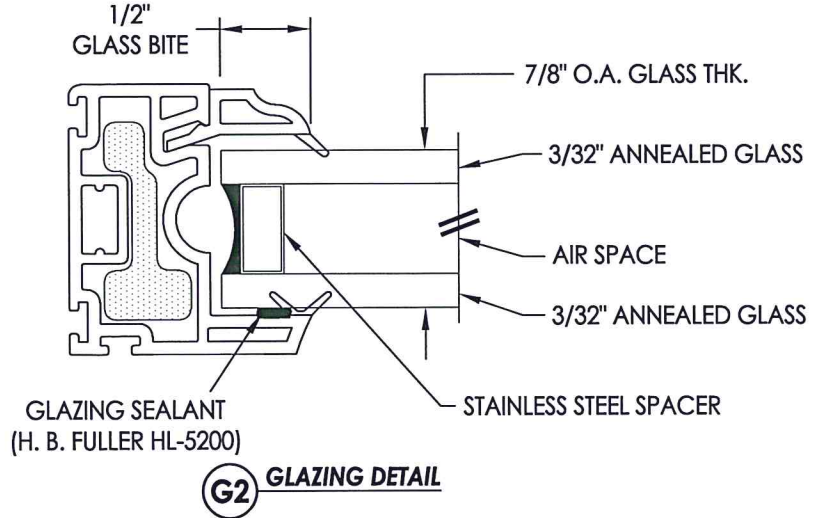
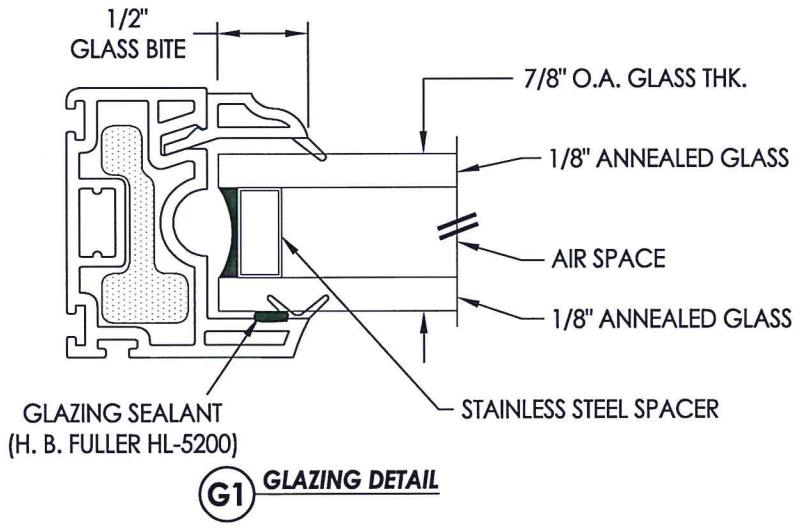
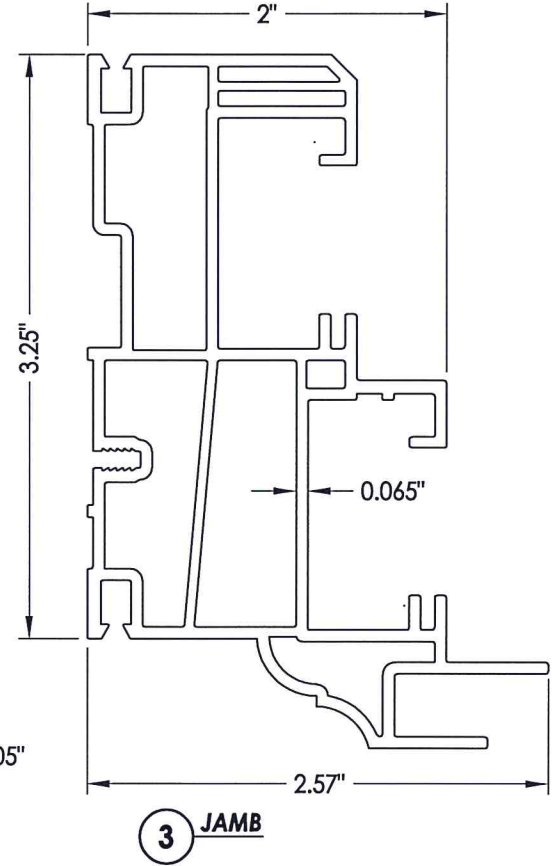
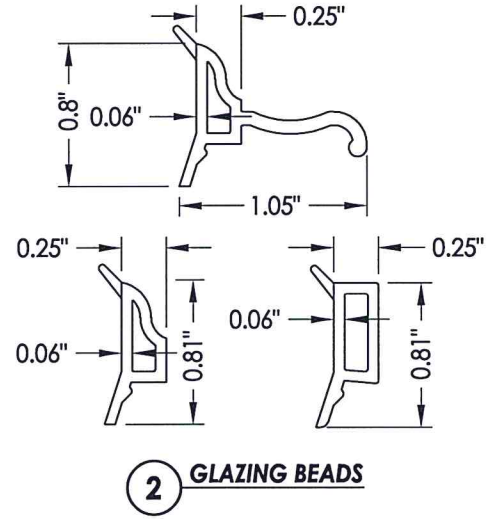
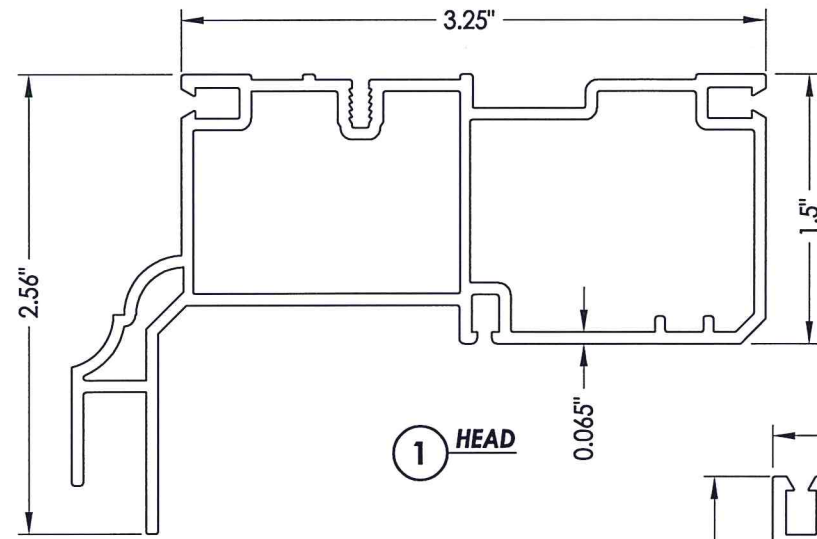
* THE APPROVED WHITE RIGID PVC EXTERIOR EXTRUSIONS FOR WINDOWS ARE TO BE PRODUCED BY EXTRUDERS LICENSEES IN "CERTIFICATION PROGRAMS FOR RIGID PVC EXTRUSIONS".



Documents Prepared By: Lyndon F. Schmidt, P.E.
TEXAS P.E. #104123

RW BUILDING CONSULTANTS, INC.
P.O. Box 230 Valrico FL, 33595
Phone No.: 813.659.9197

TEXAS BOARD OF PROFESSIONAL ENGINEERS
CERTIFICATE OF REGISTRATION # F-11852



PRODUCT:	DOUBLE HUNG WINDOW		
PART OR ASSEMBLY:	BILL OF MATERIALS, COMPONENTS & GLAZING DETAILS		
NO.	DATE	BY	
DATE:	5/05/20		
SCALE:	N.T.S.		
DWG. BY:	TRJ		
CHK. BY:	LFS		
DRAWING NO.:	TX-5050		
SHEET	3	OF	3